



*Representative photograph, actual product appearance may vary.*

*Due to regional agency approval requirements, some products may not be available in your area. Please contact your regional Honeywell office regarding your product of choice.*

**RA20NASD102A**  
**RA20 Series Industrial Potentiometer, Wire Wound Element, Solder lug Terminals, 2 W Power Rating, 1 kOhm Resistance Value**

**Features**

- Robust nickel-plated brass shaft and bushings
- Wirewound element
- Linear taper
- Very stable over the operating temperature
- Meets MIL-R-19 standards

**Typical Applications**

- Manual controls
- Welding and heating

**Description**

The RA20 Series is a military qualified potentiometer made in accordance to MIL-R-19 specifications. It offers a 2 watt power rating and a wirewound element.



**RA20NASD102A**  
**RA20 Series Industrial Potentiometer, Wire Wound Element, Solder lug Terminals, 2 W Power Rating, 1 kOhm Resistance Value**

Product Specifications	
<b>Potentiometer Type</b>	Industrial
<b>Element Type</b>	Wire Wound
<b>Terminal Type</b>	Solder lug
<b>Power Rating</b>	2 W
<b>Resistance Value</b>	1 kOhm
<b>Resistance Tolerance</b>	± 10 %
<b>Linearity</b>	± 5 %

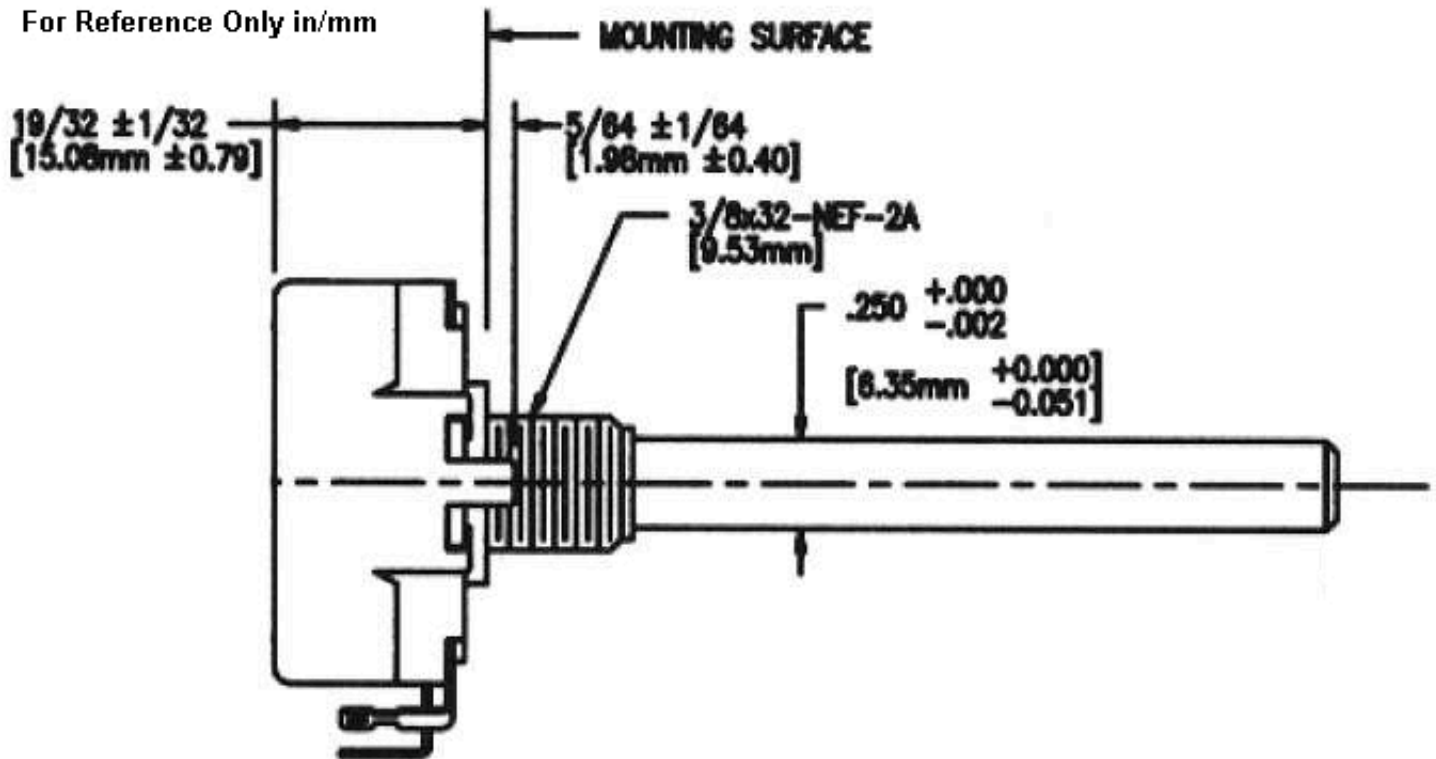
<b>Bushing Thread</b>	9,53 mm [0.375 in] x 32 NEF-2A
<b>Bushing length</b>	9,53 mm [0.375 in]
<b>Bushing Type</b>	Standard
<b>Shaft Diameter</b>	6,35 mm [0.25 in]
<b>Shaft length</b>	22,23 mm [0.875 in]
<b>Shaft Ending</b>	Slotted
<b>Body</b>	28.6 mm [1.125 in] diameter, $\pm$ 0.79 mm [0.031 in], except at terminal standoff
<b>Electrical Taper</b>	Linear
<b>Operating Temperature</b>	-55 °C to 105 °C [-67 °F to 220 °F]
<b>Working Voltage (Max.)</b>	310 V
<b>Rotational Life</b>	10000 cycles
<b>Mechanical Rotation</b>	300°
<b>Availability</b>	Global
<b>Series Name</b>	RA20 Series
<b>UNSPSC Code</b>	4111363300
<b>UNSPSC Commodity</b>	4111363300 Potentiometers

## Honeywell

---

### RA20NASD102A

**RA20 Series Industrial Potentiometer, Wire Wound Element, Solder lug Terminals, 2 W Power Rating, 1 kOhm Resistance Value**



# Honeywell

## RA20NASD102A

### RA20 Series Industrial Potentiometer, Wire Wound Element, Solder Lug Terminals, 2 W Power Rating, 1 kOhm Resistance Value

#### **WARNING**

##### **PERSONAL INJURY**

DO NOT USE these products as safety or emergency stop devices, or in any other application where failure of the product could result in personal injury.

**Failure to comply with these instructions could result in death or serious injury.**

#### **WARNING**

##### **MISUSE OF DOCUMENTATION**

- The information presented in this product sheet (or catalog) is for reference only. DO NOT USE this document as product installation information.
- Complete installation, operation and maintenance information is provided in the instructions supplied with each product.

**Failure to comply with these instructions could result in death or serious injury.**

© Copyright Honeywell Inc. 1998-2004 All rights reserved.